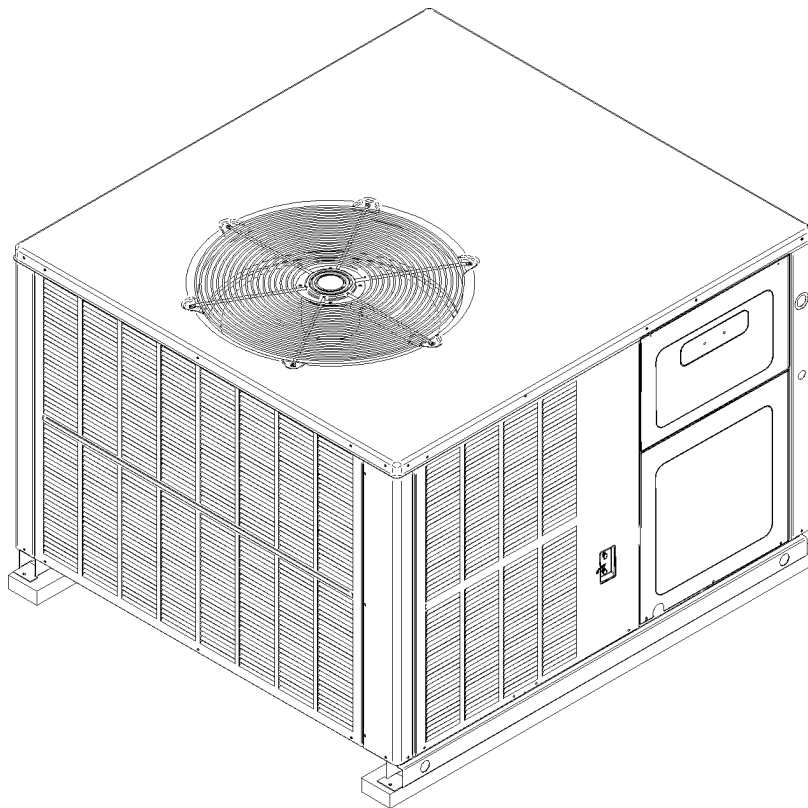


REPAIR PARTS

A/GPH15 Package Heat Pumps

APH1524M41AA
APH1530M41AA
APH1536M41AA
APH1542M41AA
APH1543M41AA
APH1548M41AA
APH1549M41AA
APH1560M41AA
GPH1524M41AA
GPH1530M41AA
GPH1536M41AA
GPH1542M41AA
GPH1543M41AA
GPH1548M41AA
GPH1549M41AA
GPH1560M41AA



This manual is to be used by qualified technicians only.

This manual replaces RP-460D.

© 2007-2009 Goodman Manufacturing Company, L.P. ♦ 5151 San Felipe, Suite 500 ♦ Houston, TX 77056

Important Information

Index

Functional Parts List	3
Illustration and Parts	4 - 11

Views shown are for parts illustrations only, not servicing procedures.

This system uses R410A refrigerant. If sealed system work is required, use approved equipment and follow service procedures. Refer to Service Manual or Installation Instructions for service procedures.

Rev. D: Added models A/GPH1543M41AA, A/GPH1549M41AA,

Text Codes:

AR - As Required

NA - Not Available

NS - Not Shown

00000000 - See Note

QTY - Quantity Example (QTY 3) (If Quantity not shown, Quantity = 1)

M - Model Example (M1) (If M Code not shown, then part is used on all Models)

Expanded Model Nomenclature:

Example M1 - Model#1 M2 - Model#2 M3 - Model#3

Goodman Manufacturing Company, L.P. is not responsible for personal injury or property damage resulting from improper service. Review all service information before beginning repairs.

Warranty service must be performed by an authorized technician, using authorized factory parts. If service is required after the warranty expires, Goodman Manufacturing Company, L.P. also recommends contacting an authorized technician and using authorized factory parts.

Goodman Manufacturing Company, L.P. reserves the right to discontinue, or change at any time, specifications or designs without notice or without incurring obligations.

For assistance within the U.S.A. contact:
Consumer Affairs Department
Goodman Manufacturing Company, L.P.
7401 Security Way
Houston, Texas 77040
877-254-4729-Telephone
713-863-2382-Facsimile

For assistance outside the U.S.A. contact:
International Division
Goodman Manufacturing Company, L.P.
7401 Security Way
Houston, Texas 77040
713-861-2500-Telephone
713-863-2382-Facsimile

Functional Parts

Part

No: Description:

Part No:	Description:	Part No:	Description:																
0231K00067	BLOWER MOTOR 1 HP PROGRAMMED ECM (M8)	0130M00018S	CUT-OUT SWITCH, HIGH PRESSURE																
0231K00068	BLOWER MOTOR 1 HP PROGRAMMED X13 (M16)	0230G00002	CUT-OUT SWITCH, LOW PRESSURE																
0231K00065	BLOWER MOTOR 1/2 HP PROGRAMMED ECM (M2, M3)	PCBDM101S	DEFROST CONTROL BOARD																
0231K00070	BLOWER MOTOR 1/2 HP PROGRAMMED ECM (M1)	0130M00009P	DEFROST THERMOSTAT OPEN 60°, CLOSE 34°																
0131M00124S	BLOWER MOTOR 1/2 HP PROGRAMMED ECM (M4)	PCBEM102S	ECM PRIMARY BOARD (M1, M2, M3, M4, M5, M6, M7, M8)																
0231K00064	BLOWER MOTOR 1/2 HP PROGRAMMED X13 (M9)	SPECIAL PARTS																	
0231K00063	BLOWER MOTOR 1/2 HP PROGRAMMED X13 (M11)	B10259253	AMANA LABEL (M1, M2, M3, M4, M5, M6, M7, M8)																
0131M00119S	BLOWER MOTOR 1/2 HP PROGRAMMED X13 (M10)	B10259251	GOODMAN LABEL (M9, M10, M11, M12, M13, M14, M15, M16)																
0131M00122S	BLOWER MOTOR 1/2 HP PROGRAMMED X13 (M12)	IO-330D	INSTALLATION INSTRUCTIONS (M1, M2, M3, M4, M5, M6, M7, M8)																
0131M00161	BLOWER MOTOR 3/4 HP PROGRAMMED (M13)	IO-334D	INSTALLATION INSTRUCTIONS (M9, M10, M11, M12, M13, M14, M15, M16)																
0131M00152	BLOWER MOTOR 3/4 HP PROGRAMMED (M15)	RP-460E	REPAIR PARTS MANUAL																
0231K00066	BLOWER MOTOR 3/4 HP PROGRAMMED ECM (M5, M6, M7)	IO-673C	SUPPLEMENT TO HEATER KIT INSTRUCTIONS																
0231K00069	BLOWER MOTOR 3/4 HP PROGRAMMED X13 (M14)	B1757910	SUPPLEMENTAL INSERT (EBTDR)																
CAP050400370RSS	CAPACITOR 5/40/370V [CONTROL BOX] (M1, M2, M9, M10)	Expanded Model Nomenclature																	
CAP050450370RSS	CAPACITOR 5/45/370V [CONTROL BOX] (M3, M4, M5, M6, M7, M11, M12, M13, M14, M15)	<table border="1"> <tr><td>M1 - APH1524M41AA</td></tr> <tr><td>M2 - APH1530M41AA</td></tr> <tr><td>M3 - APH1536M41AA</td></tr> <tr><td>M4 - APH1542M41AA</td></tr> <tr><td>M5 - APH1543M41AA</td></tr> <tr><td>M6 - APH1548M41AA</td></tr> <tr><td>M7 - APH1549M41AA</td></tr> <tr><td>M8 - APH1560M41AA</td></tr> <tr><td>M9 - GPH1524M41AA</td></tr> <tr><td>M10 - GPH1530M41AA</td></tr> <tr><td>M11 - GPH1536M41AA</td></tr> <tr><td>M12 - GPH1542M41AA</td></tr> <tr><td>M13 - GPH1543M41AA</td></tr> <tr><td>M14 - GPH1548M41AA</td></tr> <tr><td>M15 - GPH1549M41AA</td></tr> <tr><td>M16 - GPH1560M41AA</td></tr> </table>		M1 - APH1524M41AA	M2 - APH1530M41AA	M3 - APH1536M41AA	M4 - APH1542M41AA	M5 - APH1543M41AA	M6 - APH1548M41AA	M7 - APH1549M41AA	M8 - APH1560M41AA	M9 - GPH1524M41AA	M10 - GPH1530M41AA	M11 - GPH1536M41AA	M12 - GPH1542M41AA	M13 - GPH1543M41AA	M14 - GPH1548M41AA	M15 - GPH1549M41AA	M16 - GPH1560M41AA
M1 - APH1524M41AA																			
M2 - APH1530M41AA																			
M3 - APH1536M41AA																			
M4 - APH1542M41AA																			
M5 - APH1543M41AA																			
M6 - APH1548M41AA																			
M7 - APH1549M41AA																			
M8 - APH1560M41AA																			
M9 - GPH1524M41AA																			
M10 - GPH1530M41AA																			
M11 - GPH1536M41AA																			
M12 - GPH1542M41AA																			
M13 - GPH1543M41AA																			
M14 - GPH1548M41AA																			
M15 - GPH1549M41AA																			
M16 - GPH1560M41AA																			
CAP050800440RTS	CAPACITOR 5/80/440V (M8, M16)																		
ZP21K5EPFV830	COMPRESSOR 21300, 208/230/60/1 (M1, M9)																		
ZP26K3EPFV930	COMPRESSOR 25200, 208/230/60/1 (M2, M10)																		
ZP31K5EPFV830	COMPRESSOR 31100, 208/230/60/1 (M3, M11)																		
ZP34K5EPFV830	COMPRESSOR 34500, 208/230/60/1 (M5, M13)																		
ZPS40K4EPFV930	COMPRESSOR 40000, 208/230/60/1/2STG (M6, M7, M14, M15)																		
ZPS51K4EPFV930	COMPRESSOR 52000, 208/230/60/1/2STG (M8, M16)																		
ZPS35K4EPFV930	COMPRESSOR-COPELAND (M4, M12)																		
0131M00008PS	COND MOTOR 1/3 HP, 1 SP, 6 PL (M6, M8, M14, M16)																		
0131M00007PS	COND MOTOR 1/4 HP, 1 SP, 6 PL (M5, M7, M13, M15)																		
0131M00014PS	COND MOTOR 1/4 HP, 1 SP, 8 PL (M1, M2, M3, M4, M9, M10, M11, M12)																		
CONTACT2P025024VS	CONTACTOR 25 AMP, 2P, 24V (M1, M2, M3, M9, M10, M11)																		
CONTACT2P030024VS	CONTACTOR 30 AMP, 2P, 24V (M4, M5, M12, M13)																		
CONTACT2P040024VS	CONTACTOR 40 AMP, 2P, 24V (M6, M7, M8, M14, M15, M16)																		

Cabinet Assembly

Image 1

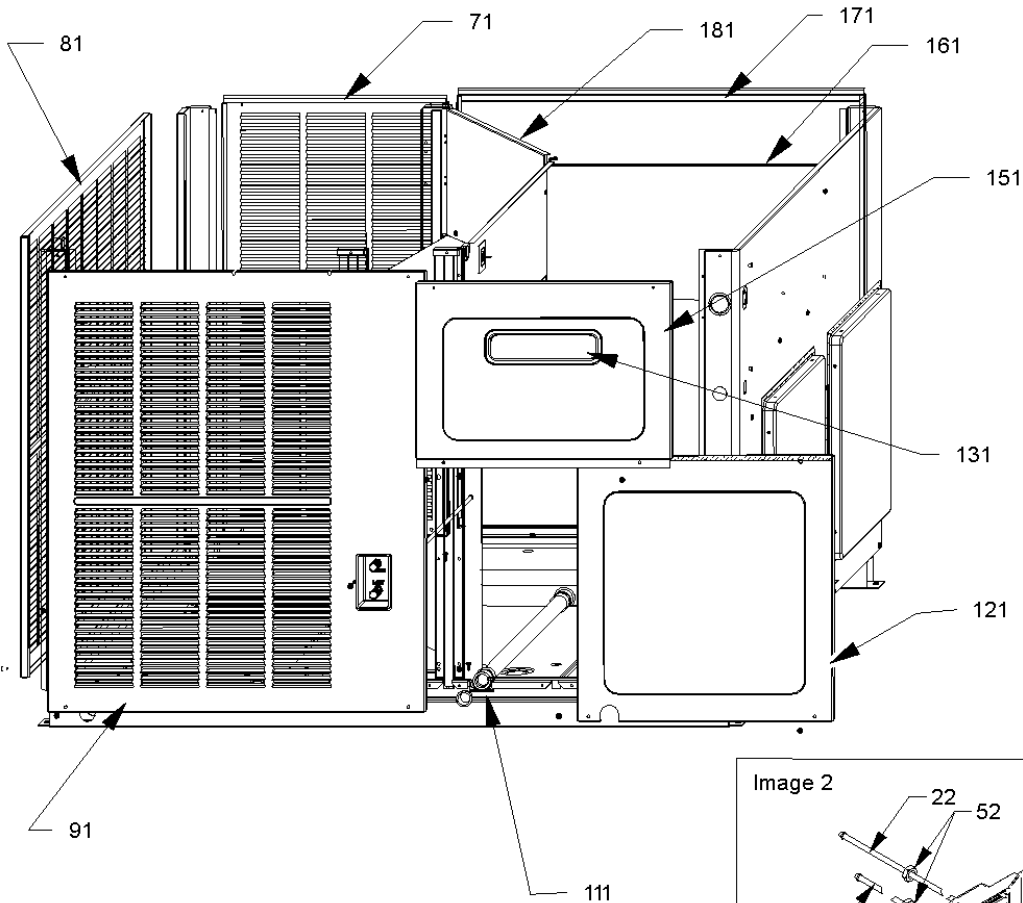
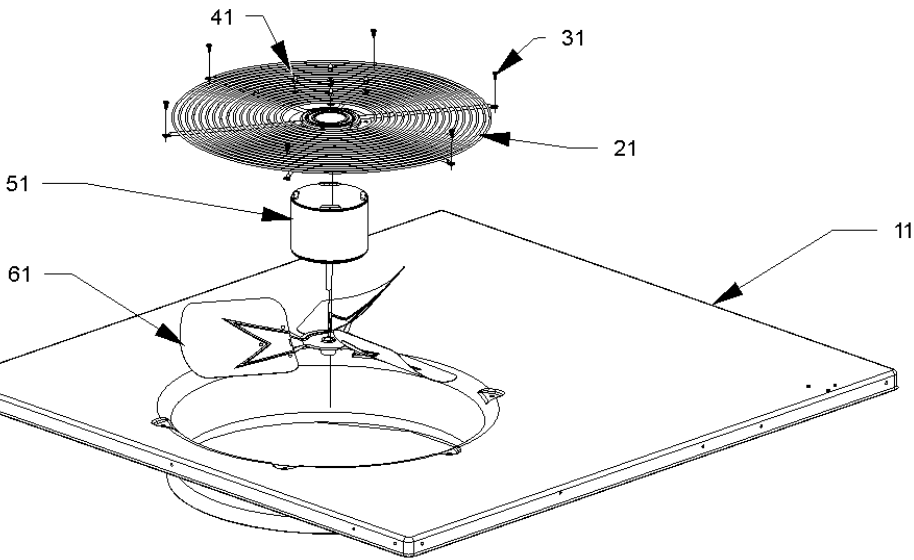
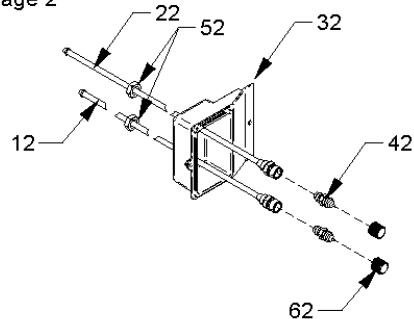


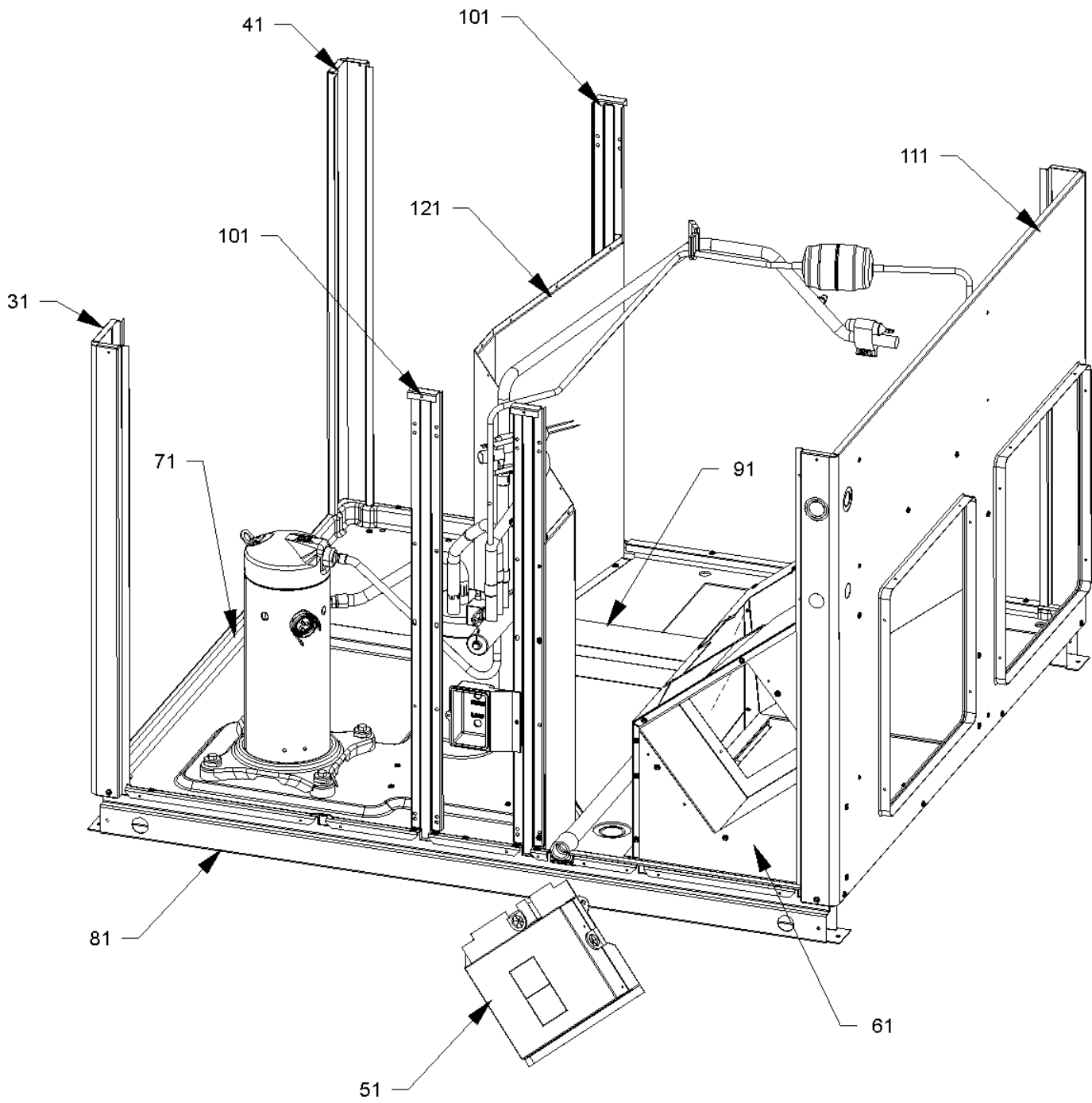
Image 2



Cabinet Assembly

Ref. Part No:	No:	Description:	Ref. Part No:	No:	Description:
<i>Image 1:</i>			<i>Image 1:</i>		
11	20466001PDGS	TOP PANEL	161	0260G00028S	INSULATED ASSY, EVAP BLOCK-OFF 40" (M5, M6, M7, M8, M13, M14, M15, M16)
21	0152G00000S	RAISED FAN GRILLE	171	0260G00025PS	INSULATED ASSY, BLOWER PANEL 32.5" (M1, M2, M3, M4, M9, M10, M11, M12)
31	B1393530	SCREW HWH,10 X 1/2, A, YZD, SLOT, SR (M5, M6, M7, M8, M13, M14, M15, M16)	171	0260G00026PS	INSULATED ASSY, BLOWER PANEL 40" (M5, M6, M7, M8, M13, M14, M15, M16)
31	M0221817	SMALL SCREW (M1, M2, M3, M4, M9, M10, M11, M12)	181	0260G00022PS	INSULATED ASSY, FAN SHROUD
41	0163M00006P	ACORN NUT 5/16 HEX BLACK (M1, M2, M3, M4, M9, M10, M11, M12)	NS	0121G00235	FAN BAFFLE
41	B1783803	ACORN NUT 5/16 HEX YELLOW ZINC (M5, M6, M7, M8, M13, M14, M15, M16)	NS	0210G00008P	PROCESS TUBING ASSY (M3, M4, M11, M12)
51	0131M00008PS	COND MOTOR 1/3 HP, 1 SP, 6 PL (M6, M8, M14, M16)	NS	0210G00064	PROCESS TUBING ASSY (M5, M6, M7, M8, M13, M14, M15, M16)
51	0131M00007PS	COND MOTOR 1/4 HP, 1 SP, 6 PL (M5, M7, M13, M15)	NS	0210G00135	PROCESS TUBING ASSY (M1, M2, M9, M10)
51	0131M00014PS	COND MOTOR 1/4 HP, 1 SP, 8 PL (M1, M2, M3, M4, M9, M10, M11, M12)	NS	17788000083F	PVC CONDUIT 8.25"
61	0150G00002S	FAN BLADE SWEEP-WING (M1, M2, M3, M4, M5, M7, M9, M10, M11, M12, M13, M15)	<i>Image 2:</i>		
61	0150M00011S	FAN BLADE SWEEP-WING (M6, M8, M14, M16)	12	0210G00031P	PROCESS TUBE ASSY-SUCTION
71	20467701PDGS	LOUVERED PANEL, COND SIDE 32" (M9, M10, M11, M12)	22	0210G00030P	PROCESS TUBE ASSY-LIQUID (M3, M4, M11, M12)
71	20467701PLG	LOUVERED PANEL, COND SIDE 32" (M1, M2, M3, M4)	22	0210G00134	PROCESS TUBE ASSY-LIQUID (M1, M2, M9, M10)
71	20467702PDG	LOUVERED PANEL, COND SIDE 40" (M13, M14, M15, M16)	22	0210G00031P	PROCESS TUBE ASSY-SUCTION (M5, M6, M7, M8, M13, M14, M15, M16)
71	20467702PLG	LOUVERED PANEL, COND SIDE 40" (M5, M6, M7, M8)	32	0161G00001P	ACCESS FITTING BOX
81	20464401PDGS	LOUVERED PANEL, COND SIDE 32" (M9, M10, M11, M12)	42	B1373315	ACCESS FITTING (QTY 2)
81	20464401PLG	LOUVERED PANEL, COND SIDE 32" (M1, M2, M3, M4)	52	0163G00000P	FASTEST FITTING NUT (QTY 2)
81	20464402PDGS	LOUVERED PANEL, COND SIDE 40" (M13, M14, M15, M16)	62	B9102097	CAP W/O-RING (QTY 2)
81	20464402PLG	LOUVERED PANEL, COND SIDE 40" (M5, M6, M7, M8)	Expanded Model Nomenclature		
91	0121G00146LG	LOUVERED PANEL 4 BANK 32.5", COMP SIDE (M1, M2, M3, M4)	M1 - APH1524M41AA M2 - APH1530M41AA M3 - APH1536M41AA M4 - APH1542M41AA M5 - APH1543M41AA M6 - APH1548M41AA M7 - APH1549M41AA M8 - APH1560M41AA M9 - GPH1524M41AA M10 - GPH1530M41AA M11 - GPH1536M41AA M12 - GPH1542M41AA M13 - GPH1543M41AA M14 - GPH1548M41AA M15 - GPH1549M41AA M16 - GPH1560M41AA		
91	0121G00146PDG	LOUVERED PANEL 4 BANK 32.5", COMP SIDE (M9, M10, M11, M12)	Effective July 2008 (serial codes 0807), single phase units will no longer be factory shipped with horizontal duct covers. For downshot applications, contact your local Goodman distributor.		
91	0121G00147LG	LOUVERED PANEL 4 BANK 40", COMP SIDE (M5, M6, M7, M8)			
91	0121G00147PDG	LOUVERED PANEL 4 BANK 40", COMP SIDE (M13, M14, M15, M16)			
111	0261G00000	DRAIN PIPE			
121	0260G00023PS	INSULATED ASSY, BLOWER PANEL 32.5" (M1, M2, M3, M4, M9, M10, M11, M12)			
121	0260G00024PS	INSULATED ASSY, BLOWER PANEL 40" (M5, M6, M7, M8, M13, M14, M15, M16)			
131	B10259253	AMANA LABEL (M1, M2, M3, M4, M5, M6, M7, M8)			
131	B10259251	GOODMAN LABEL (M9, M10, M11, M12, M13, M14, M15, M16)			
151	0121G00213DGS	CONTROL BOX PANEL			
161	0260G00027S	INSULATED ASSY, EVAP BLOCK-OFF 32" (M1, M2, M3, M4, M9, M10, M11, M12)			

Panels and Supports



Panels and Supports

Ref. Part No:	Ref. Part No:	Description:	Description:
<i>Image 1:</i>			
31	20464201PDGS	CORNER POST-COMP END 32" (M1, M2, M3, M4, M9, M10, M11, M12)	
31	20464202PDGS	CORNER POST-COMP END 40" (M5, M6, M7, M8, M13, M14, M15, M16)	
41	20464301PDGS	CORNER POST-HAIRPIN END 32" (M1, M2, M3, M4, M9, M10, M11, M12)	
41	20464302PDGS	CORNER POST-HAIRPIN END 40" (M5, M6, M7, M8, M13, M14, M15, M16)	
51	0121G00221	HEATER KIT COVER (QTY 2)	
61	0221G00014	BLOWER TRANSITION ASSY	
71	0121G00289	BASE PAN	
81	0121G00290	BASE PAN RAIL (QTY 2)	
91	0161G00003	PLASTIC DRIP PAN	
101	0121G00208	SUPPORT POST 32" (M1, M2, M3, M4, M9, M10, M11, M12)	
101	0121G00209	SUPPORT POST 40" (M5, M6, M7, M8, M13, M14, M15, M16)	
111	0260G00018PS	INSULATED ASSY, DUCT 32.5" (M1, M2, M3, M4, M9, M10, M11, M12)	
111	0260G00019PS	INSULATED ASSY, DUCT 40" (M5, M6, M7, M8, M13, M14, M15, M16)	
121	0260G00020PS	INSULATED ASSY, PARTITION PANEL 32" (M1, M2, M3, M4, M9, M10, M11, M12)	
121	0260G00021PS	INSULATED ASSY, PARTITION PANEL 40 (M5, M6, M7, M8, M13, M14, M15, M16)	
NS	0121G00158	EVAP BLOCK-OFF 32.5" (M1, M2, M3, M4, M9, M10, M11, M12)	
NS	0121G00159	EVAP BLOCK-OFF 40" (M5, M6, M7, M8, M13, M14, M15, M16)	
NS	0121G00219	EVAP BLOCK-OFF, TOP 32.5" (M1, M2, M3, M4, M9, M10, M11, M12)	
NS	0121G00220	EVAP BLOCK-OFF, TOP 40" (M5, M6, M7, M8, M13, M14, M15, M16)	

Expanded Model Nomenclature

M1 - APH1524M41AA
M2 - APH1530M41AA
M3 - APH1536M41AA
M4 - APH1542M41AA
M5 - APH1543M41AA
M6 - APH1548M41AA
M7 - APH1549M41AA
M8 - APH1560M41AA
M9 - GPH1524M41AA
M10 - GPH1530M41AA
M11 - GPH1536M41AA
M12 - GPH1542M41AA
M13 - GPH1543M41AA
M14 - GPH1548M41AA
M15 - GPH1549M41AA
M16 - GPH1560M41AA

Tubing/Coil Assembly

Image 1

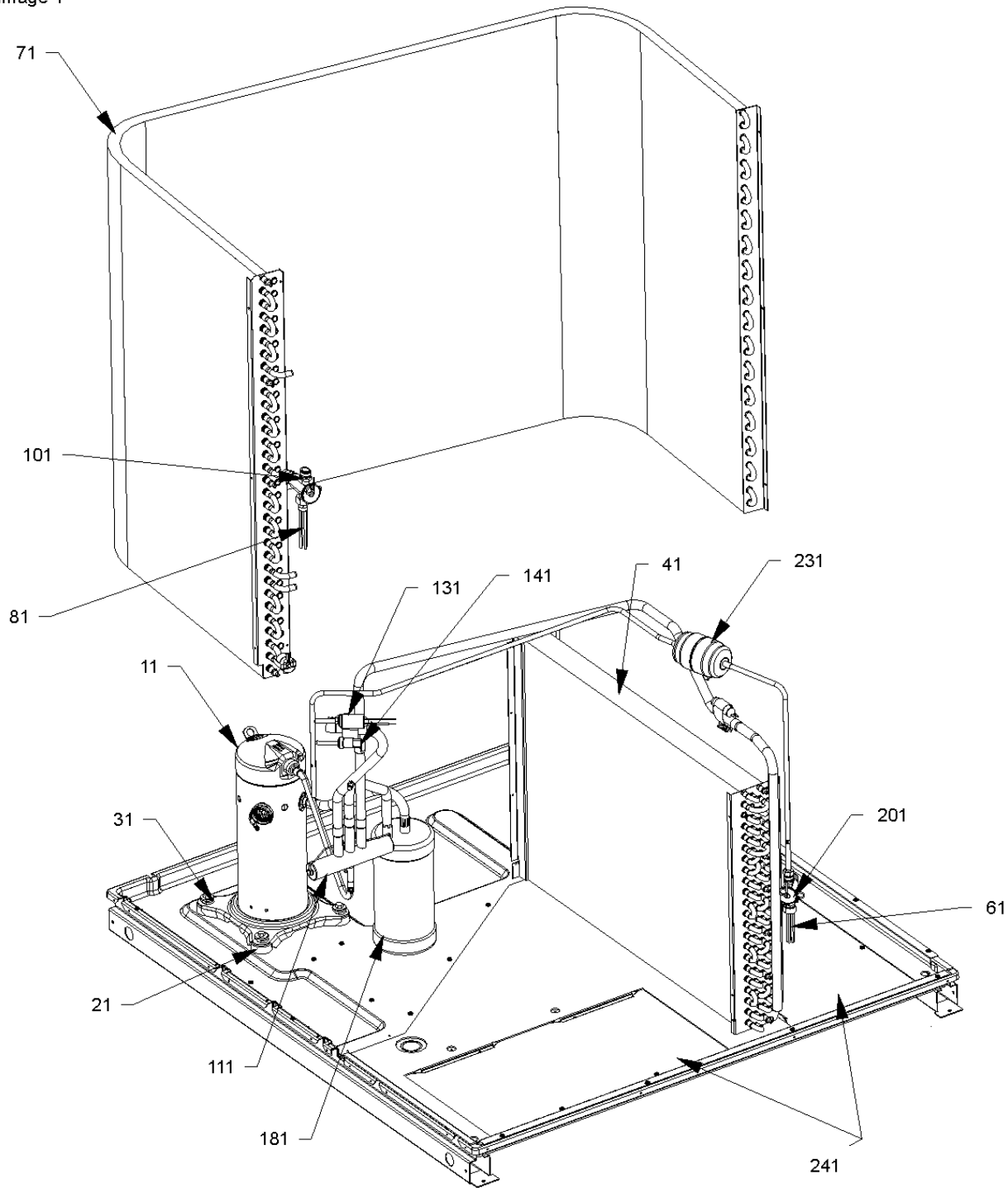
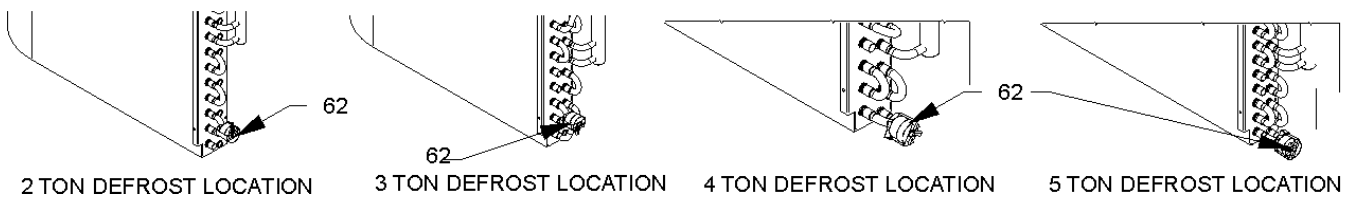


Image 2



Tubing/Coil Assembly

Ref. Part No:	Ref. Part No:	Description:	Description:
<i>Image 1:</i>		<i>Image 1:</i>	
11	ZP21K5EPFV830	COMPRESSOR 21300, 208/230/60/1 (M1, M9)	NS 0159G00001 COMPRESSOR SOLENOID CABLE (M4, M6, M7, M8, M12, M14, M15, M16)
11	ZP26K3EPFV930	COMPRESSOR 25200, 208/230/60/1 (M2, M10)	NS B1488806S COMPRESSOR SOUND BLANKET (M4, M5, M6, M7, M8)
11	ZP31K5EPFV830	COMPRESSOR 31100, 208/230/60/1 (M3, M11)	NS B1488807S COMPRESSOR SOUND BLANKET (M1, M2, M3)
11	ZP34K5EPFV830	COMPRESSOR 34500, 208/230/60/1 (M5, M13)	
11	ZPS40K4EPFV930	COMPRESSOR 40000, 208/230/60/1/2STG (M6, M7, M14, M15)	<i>Image 2:</i>
11	ZPS51K4EPFV930	COMPRESSOR 52000, 208/230/60/1/2STG (M8, M16)	62 0130M00009P DEFROST THERMOSTAT OPEN 60°, CLOSE 34°
11	ZPS35K4EPFV930	COMPRESSOR-COPELAND (M4, M12)	Expanded Model Nomenclature
21	B1339533	COMPRESSOR GROMMET (QTY 4)	M1 - APH1524M41AA
31	M0221641	TF SHOULDER SCREW (QTY 4)	M2 - APH1530M41AA
41	0202G00110S	TUBING ASSY, EVAP COIL (M1, M2, M9, M10)	M3 - APH1536M41AA
41	0202G00111S	TUBING ASSY, EVAP COIL (M3, M11)	M4 - APH1542M41AA
41	0202G00112S	TUBING ASSY, EVAP COIL (M5, M6, M7, M8, M13, M14, M15, M16)	M5 - APH1543M41AA
41	0202G00265S	TUBING ASSY, EVAP COIL (M4, M12)	M6 - APH1548M41AA
61	B2114600	FLOWRATOR [COND] (M1, M2, M3, M4, M9, M10, M11, M12)	M7 - APH1549M41AA
61	B2114800	FLOWRATOR [EVAP] (M5, M6, M7, M8, M13, M14, M15, M16)	M8 - APH1560M41AA
71	0201G00161	TUBING ASSY, COND COIL (M5, M7, M13, M15)	M9 - GPH1524M41AA
71	0201G00094S	TUBING ASSY, COND COIL 32" (M1, M2, M9, M10)	M10 - GPH1530M41AA
71	0201G00095S	TUBING ASSY, COND COIL 32" (M3, M4, M11, M12)	M11 - GPH1536M41AA
71	0201G00096S	TUBING ASSY, COND COIL 40" (M6, M8, M14, M16)	M12 - GPH1542M41AA
81	0162M00055	FLOWRATOR [COND] (M5, M6, M7, M8, M13, M14, M15, M16)	M13 - GPH1543M41AA
81	B2114400	FLOWRATOR [COND] (M1, M2, M9, M10)	M14 - GPH1548M41AA
81	B2114600	FLOWRATOR [EVAP] (M3, M4, M11, M12)	M15 - GPH1549M41AA
101	0151G00001	TXV VALVE [COND] (M1, M2, M9, M10)	M16 - GPH1560M41AA
101	0151M00016	TXV VALVE [COND] (M6, M7, M8, M14, M15, M16)	
101	0151M00017	TXV VALVE [COND] (M3, M4, M5, M11, M12, M13)	
111	B1227316S	REVERSING VALVE (M1, M2, M9, M10)	
111	B1227318S	REVERSING VALVE (M3, M4, M5, M6, M7, M8, M11, M12, M13, M14, M15, M16)	
131	0130M00018S	CUT-OUT SWITCH, HIGH PRESSURE	
141	0230G00002	CUT-OUT SWITCH, LOW PRESSURE	
181	B1226206	ACCUMULATOR (M1, M2, M9, M10)	
181	B1226207	ACCUMULATOR .875 (M3, M4, M5, M6, M7, M8, M11, M12, M13, M14, M15, M16)	
201	0151G00001	TXV VALVE [EVAP] (M1, M2, M9, M10)	
201	0151M00016	TXV VALVE [EVAP] (M6, M7, M8, M14, M15, M16)	
201	0151M00017	TXV VALVE [EVAP] (M3, M4, M5, M11, M12, M13)	
231	20485201	BI-FLOW FILTER DRIER	
241	0121G00148	SINGLE COVER, DOWN DISCHARGE (QTY 2)	
NS	0259G00063	COMPRESSOR HARNESS (M4, M6, M7, M8, M12, M14, M15, M16)	
NS	0159G00002	COMPRESSOR SCROLL HARNESS (M1, M2, M3, M9, M10, M11)	
NS	0159R00003P	COMPRESSOR SCROLL HARNESS (M5, M13)	

Control Panel/Blower Assembly

Image 1

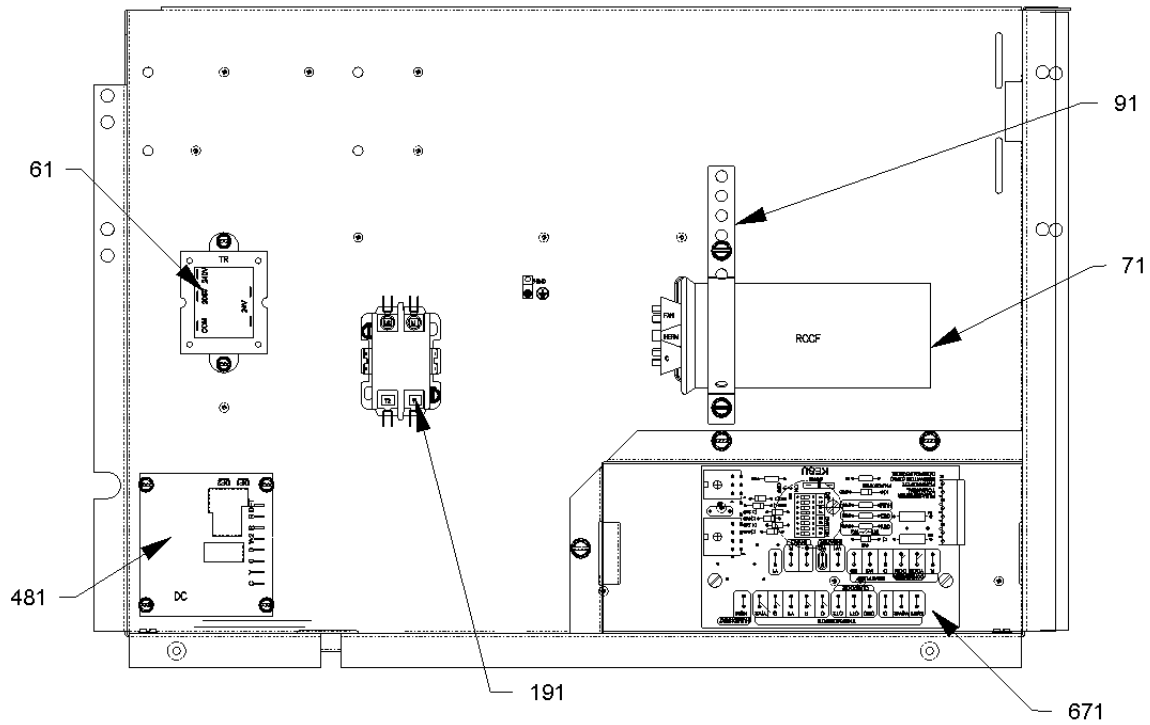
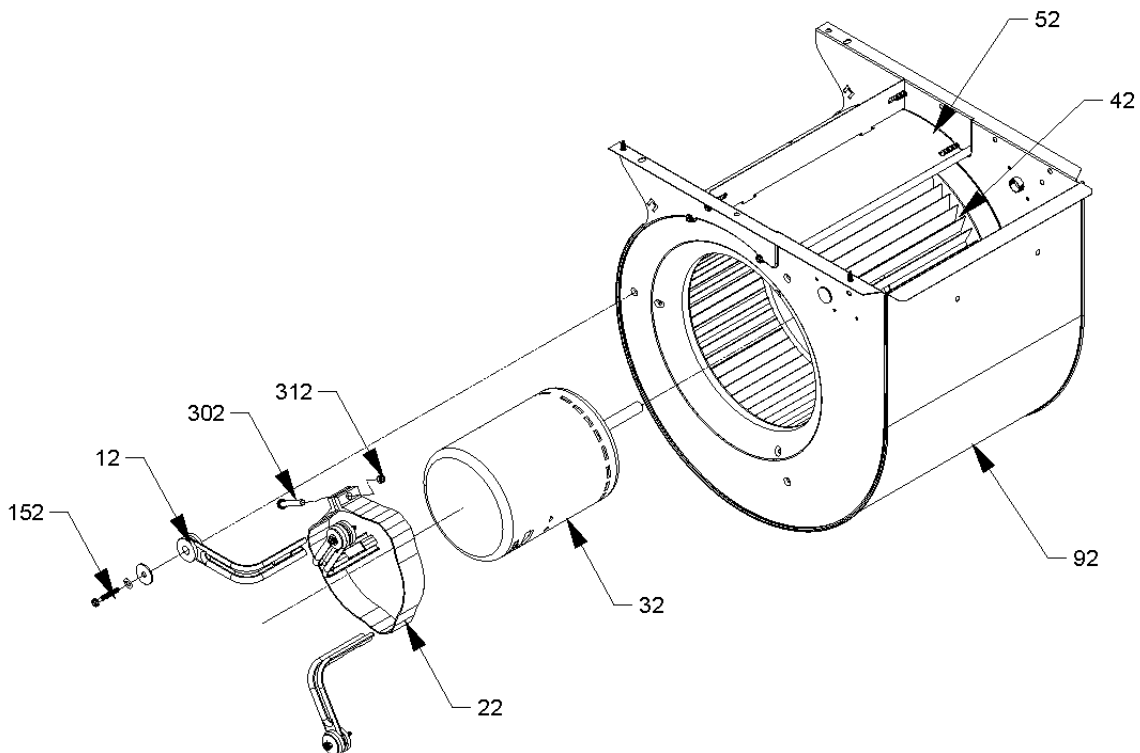


Image 2



Control Panel/Blower Assembly

Ref. Part No:	Ref. Part No:	Description:	Description:	
<i>Image 1:</i>		<i>Image 2:</i>		
61	B1141643	TRANSFORMER 208/230, 24V	312 B1393800 LOCKNUT, NYLON, INSERT 1/4, 20	
71	CAP050400370RSS	CAPACITOR 5/40/370V [CONTROL BOX] (M1, M2, M9, M10)	NS 0259G00065 BLOWER HARNESS (M9, M10, M11, M13)	
71	CAP050450370RSS	CAPACITOR 5/45/370V [CONTROL BOX] (M3, M4, M5, M6, M7, M11, M12, M13, M14, M15)	NS 0259G00068 BLOWER HARNESS (M12, M14, M15, M16)	
71	CAP050800440RTS	CAPACITOR 5/80/440V (M8, M16)	Expanded Model Nomenclature	
91	20520901	CAPACITOR STRAP	M1 - APH1524M41AA	
191	CONT2P025024VS	CONTACTOR 25 AMP, 2P, 24V (M1, M2, M3, M9, M10, M11)	M2 - APH1530M41AA	
191	CONT2P030024VS	CONTACTOR 30 AMP, 2P, 24V (M4, M5, M12, M13)	M3 - APH1536M41AA	
191	CONT2P040024VS	CONTACTOR 40 AMP, 2P, 24V (M6, M7, M8, M14, M15, M16)	M4 - APH1542M41AA	
481	PCBDM101S	DEFROST CONTROL BOARD	M5 - APH1543M41AA	
671	PCBEM102S	ECM PRIMARY BOARD (M1, M2, M3, M4, M5, M6, M7, M8)	M6 - APH1548M41AA	
NS	0259G00070	WIRE HARNESS, ELECTRIC HEAT (M9, M10, M11, M12, M13, M14, M15, M16)	M7 - APH1549M41AA	
NS	0259G00071	WIRE HARNESS, ELECTRIC HEAT (M1, M2, M3, M4, M5, M6, M7, M8)	M8 - APH1560M41AA	
NS	B1378701	WIRE HARNESS, HIGH VOLTAGE (5-PIN ECM) (M1, M2, M3, M4, M5, M6, M7, M8)	M9 - GPH1524M41AA	
NS	B1378700	WIRE HARNESS, LOW VOLTAGE (16-PIN ECM) (M1, M2, M3, M4, M5, M6, M7, M8)	M10 - GPH1530M41AA	
<i>Image 2:</i>		M11 - GPH1536M41AA		
12	B1376857	MOTOR MOUNT ARM (QTY 3)	M12 - GPH1542M41AA	
22	0121M00038	MOTOR MOUNT BAND	M13 - GPH1543M41AA	
32	0231K00067	BLOWER MOTOR 1 HP PROGRAMMED ECM (M8)	M14 - GPH1548M41AA	
32	0231K00068	BLOWER MOTOR 1 HP PROGRAMMED X13 (M16)	M15 - GPH1549M41AA	
32	0131M00124S	BLOWER MOTOR 1/2 HP PROGRAMMED ECM (M4)	M16 - GPH1560M41AA	
32	0231K00065	BLOWER MOTOR 1/2 HP PROGRAMMED ECM (M2, M3)		
32	0231K00070	BLOWER MOTOR 1/2 HP PROGRAMMED ECM (M1)		
32	0131M00119S	BLOWER MOTOR 1/2 HP PROGRAMMED X13 (M10)		
32	0131M00122S	BLOWER MOTOR 1/2 HP PROGRAMMED X13 (M12)		
32	0231K00063	BLOWER MOTOR 1/2 HP PROGRAMMED X13 (M11)		
32	0231K00064	BLOWER MOTOR 1/2 HP PROGRAMMED X13 (M9)		
32	0131M00152	BLOWER MOTOR 3/4 HP PROGRAMMED (M15)		
32	0131M00161	BLOWER MOTOR 3/4 HP PROGRAMMED (M13)		
32	0231K00066	BLOWER MOTOR 3/4 HP PROGRAMMED ECM (M5, M6, M7)		
32	0231K00069	BLOWER MOTOR 3/4 HP PROGRAMMED X13 (M14)		
42	D6723303S	BLOWER WHEEL		
52	764742	BLOWER BLOCK-OFF		
92	0271G00024S	BLOWER HOUSING ASSY 10 X 9		
152	M0250565	TC SCREW 1.25" (QTY 3)		
302	B1393323	MACHINE SCREW HWH 1/4-20 X 1-1/2 BZ		